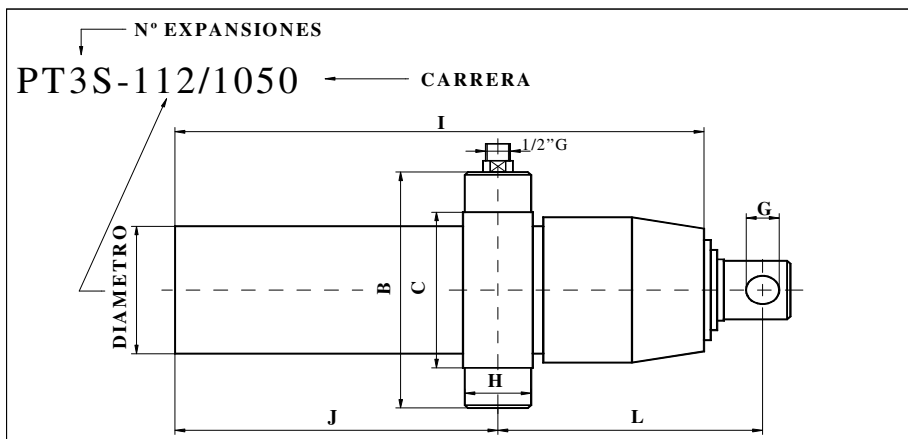


# CILINDRO TELESCOPICO MOD."A"



Pmax=180 Kg/cm2

"STOCK PERMANENTE"



CILINDRO	B	C	G	H	I	J	L	EXP.1ª	EXP.2ª	EXP.3ª	EXP.4ª	POTENCIA Kg
PT2S-85/600	185	105	25	45	415	247	215	65	47	-	-	3500
PT2S-85/700	185	105	25	45	465	297	215	65	47	-	-	3500
PT2S-100/700	207	122	25	50	469	288	228	76	60,5	-	-	5000
PT2S-100/900	207	122	25	50	567	386	228	76	60,5	-	-	5000
PT2S-112/600	231	146	30	50	419	238	228	85	65	-	-	6000
PT2S-112/700	231	146	30	50	469	288	228	85	65	-	-	6000
PT2S-112/1000	231	146	30	50	619	438	228	85	65	-	-	6000
PT2S-140/700	250	165	35	60	469	283	233	106	85	-	-	9500
PT2S-140/1000	250	165	35	60	619	433	233	106	85	-	-	9500
PT3S-100/1050	207	122	25	50	469	288	224	76	60,5	42	-	4000
PT3S-112/900	231	146	25	50	419	238	234	85	65	47	-	5000
PT3S-112/1050	231	146	25	50	469	288	234	85	65	47	-	5000
PT3S-112/1500	231	146	25	50	619	438	234	85	65	47	-	5000
PT3S-140/900	250	165	30	60	419	233	239	106	85	65	-	7500
PT3S-140/1050	250	165	30	60	469	283	239	106	85	65	-	7500
PT3S-140/1200	250	165	30	60	519	333	239	106	85	65	-	7500
PT3S-140/1300	250	165	30	60	552	366	239	106	85	65	-	7500
PT3S-140/1500	250	165	30	60	619	433	239	106	85	65	-	7500
PT3S-145/1050	250	165	35	60	469	283	239	114	95	75	-	8500
PT3S-145/1300	250	165	35	60	552	366	239	114	95	75	-	8500
PT3S-160/1050	284	184	35	65	475	286	241	130	106	85	-	13000
PT3S-160/1300	284	184	35	65	557	369	241	130	106	85	-	13000
PT3S-160/1500	284	184	35	65	625	436	241	130	106	85	-	13000
PT3S-180/1050	320	210	40	65	475	286	241	145	120	97	-	15000
PT3S-180/1200	320	210	40	65	525	336	241	145	120	97	-	15000
PT4S-140/1200	250	165	25	60	419	233	245	106	85	65	47	7000
PT4S-140/1400	250	165	25	60	469	283	245	106	85	65	47	7000
PT4S-140/2000	250	165	25	60	619	433	245	106	85	65	47	7000
PT4S-160/1400	284	184	30	65	475	286	247	130	106	85	65	12500
PT4S-160/1730	284	184	30	65	557	369	247	130	106	85	65	12500
PT4S-160/2000	284	184	30	65	625	436	247	130	106	85	65	12500
PT4S-180/1400	320	210	35	65	475	286	247	145	120	97	75	14500
PT4S-180/1600	320	210	35	65	525	336	247	145	120	97	75	14500